



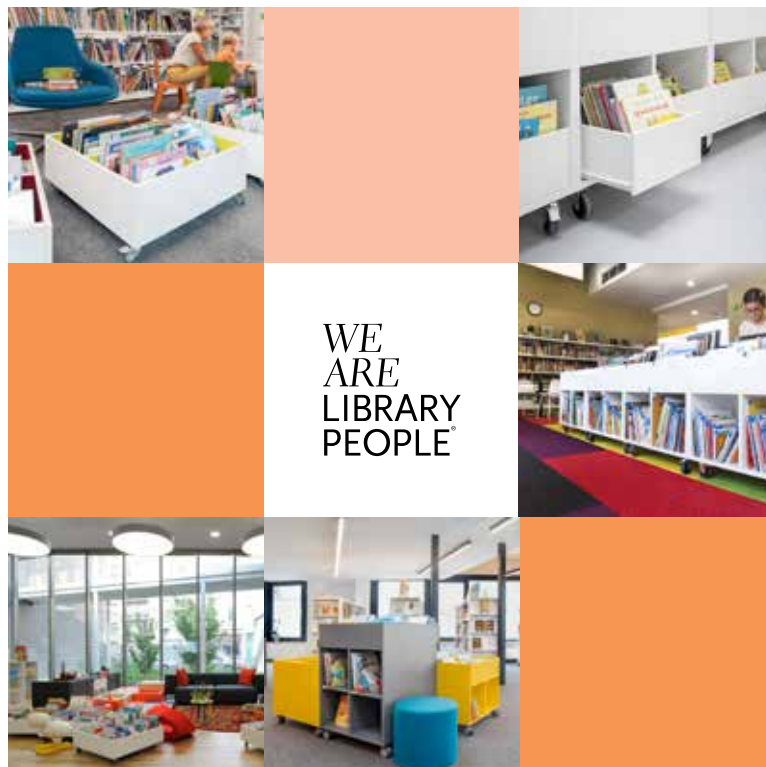
BOX

01.01.2024



BOX BROWSER - INDEX

TECHNICAL SPECIFICATIONS	3
DIMENSIONS	3
DESIGN OPTIONS	4
BOX 0, 1 & 2.....	5



TECHNICAL SPECIFICATIONS & DIMENSIONS

PAINTED WOODEN COMPONENTS

are made of MDF (medium density fibre board) which is painted with acid lacquer. Standard components have gloss 20 - 30. See Design Options for colour specifications.

SIDES

are made of 19 mm MDF.

DIMENSIONS

Box 0, 1 & 2 is available in 3 sizes (heights include castors);

W720 x H287 x D720 mm

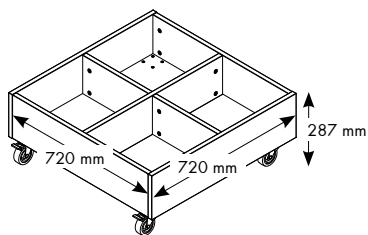
W720 x H639 x D720 mm

W720 x H989 x D720 mm

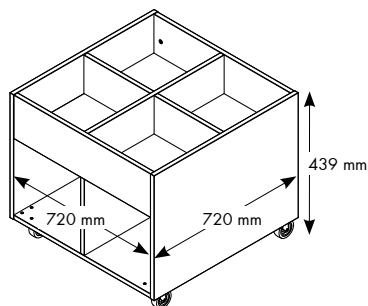
Upper compartment: W330 x H170 x D331 mm

Lower compartment: W331 x H330 x D350 mm

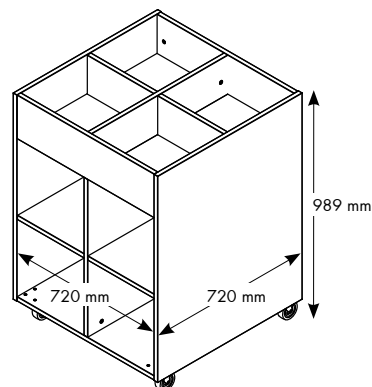
Box 0



Box 1



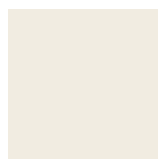
Box 2



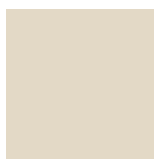
DESIGN OPTIONS

WOODEN COMPONENTS - PAINTED

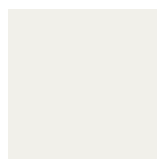
A PRICE GROUP - BASIS PRICE



A01
Pure white
RAL 9010
Gloss 20-30



A02
Oyster white
RAL 1013
Gloss 20-30



A03
Traffic white
RAL 9016
Gloss 20-30



A04
Traffic yellow
RAL 1023
Gloss 20-30



A05
Sun yellow
RAL 1037
Gloss 20-30



A06
Signal orange
RAL 2010
Gloss 20-30



A07
Pearl orange
RAL 2013
Gloss 20-30



A08
Flame red
RAL 3000
Gloss 20-30



A09
Ruby red
RAL 3003
Gloss 20-30



A21
Reseda green
RAL 6011
Gloss 20-30



A22
Moss green
RAL 6005
Gloss 20-30



A26
Fir green
RAL 6009
Gloss 20-30



A10
Pigeon blue
RAL 5014
Gloss 20-30



A11
Ocean blue
RAL 5020
Gloss 20-30



A12
Steel blue
RAL 5011
Gloss 20-30



A13
Light grey
RAL 7035
Gloss 20-30



A14
White aluminium
RAL 9006
Gloss 20-30



A31
Grey aluminium
RAL 9007
Gloss 20-30



A15
Dusty grey
RAL 7037
Gloss 20-30



A16
Traffic grey
RAL 7043
Gloss 20-30



A17
Basalt grey
RAL 7012
Gloss 20-30



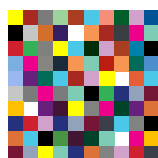
A18
Slate grey
RAL 7015
Gloss 20-30



A19
Anthracite grey
RAL 7016
Gloss 20-30



A25
Jet black
RAL 9005
Gloss 20-30



Any RAL/NCS colour
Gloss 20-30

Note:

- The above selection of colours match our steel colours. Note that you can order any RAL/NCS colour without surcharge.
- A surcharge for colours with "metallic" look or different surface textures must be expected, please contact Customer Service.

WOODEN BROWSERS

BOX 0, 1 & 2 BOOK BROWSERS

The Box comic/picture book browser is delivered as standard in MDF in any NCS/RAL colour.

Box 0, 1 & 2 comic/picture book browser - 2 x 2 upper compartments + 0/4/8 lower compartments

Incl. rubber mat.

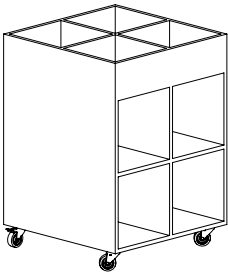
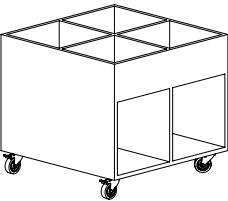
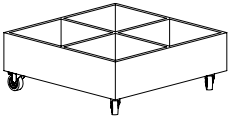
Box

Capacity

Item no.

Box 0 125 books
Box 1 250 books
Box 2 375 books

B4012300
B4012301
B4012302



Drawer for Box 1 & 2

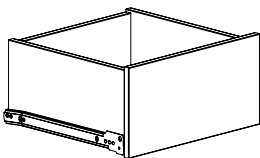
Incl. fittings, rubber mat and assembly template. To be installed in lower case of Box 1/2.
4 or 8 drawers maximum per Box.

Size

Item no.

W328 x H166 x D312 mm

B401240



LOCATIONS

WE ARE LIBRARY PEOPLE®



DENMARK

Lammhults Biblioteksdesign A/S
Dalbækvej 1
6670 Holsted

bci@bci.dk
www.bci.dk

SWEDEN

Lammhults Biblioteksdesign AB
Odlarevägen 16
226 60 Lund

eurobib@eurobib.se
www.eurobib.se

UNITED KINGDOM

thedesignconcept Ltd.
The Old Bakery,
10 Greenless Road
Cambuslang Belgrave Street
Glasgow G72 8JJ

info@thedesignconcept.co.uk
www.thedesignconcept.co.uk

FRANCE

BC Intérieur Sarl
6 allée Kepler
77420 Champs sur Marne

bci@bcinterieur.com
www.bcinterieur.com

GERMANY

Schulz Speyer Bibliothekstechnik AG
Hafenstraße 2
67346 Speyer

sales@schulzspeyer.de
www.schulzspeyer.de

NORWAY

BS Eurobib AS
Alf Bjerckes Vei 20
0582 Oslo

post@bseurobib.no
www.bseurobib.no

BELGIUM

SBNL - Schulz Benelux BVBA
Appelweg 94 C
3221 Holsbeek

info@sbnl.be
www.sbnl.be