



WE ARE LIBRARY PEOPLE®



SCHULZ SPEYER Bibliothekstechnik AG
Postfach 1780
D-67327 Speyer
Tel.: +49 (0)6232-3181-0
Fax: +49 (0)6232-3181-800
sales@schulzspeyer.de
www.schulzspeyer.de

COCOON Working - Lounge



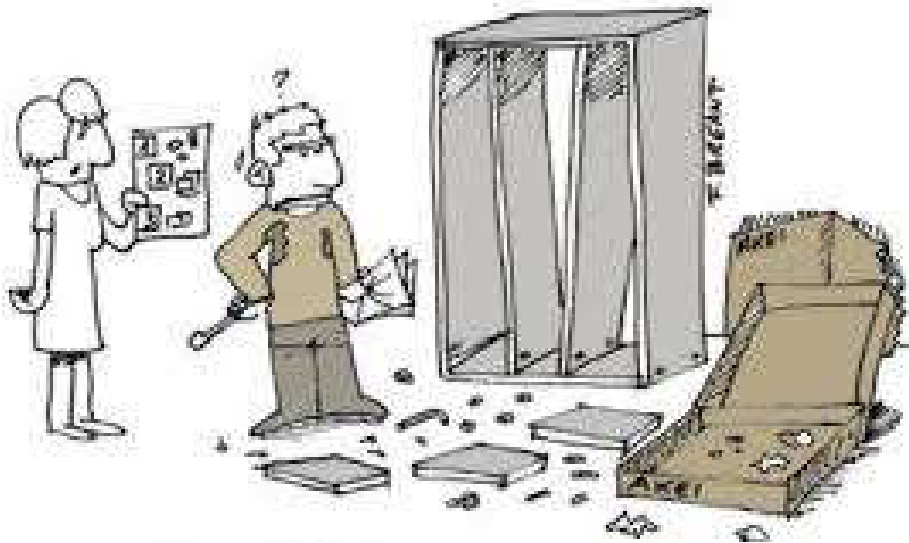
A s s e m b l y I n s t r u c t i o n s



WE ARE LIBRARY PEOPLE®

Cocoon Working Lounge

Always read assembly instruction





WE ARE LIBRARY PEOPLE®

Cocoon Working Lounge

Assembly time

2 4H - 6H



WE ARE LIBRARY PEOPLE®

Cocoon Working Lounge

Tools





WE ARE LIBRARY PEOPLE®

Cocoon Working Lounge

Dimensions

Measurements

Cocoon Working Lounge

=> H 2100 mm

=> D 1815 mm

=> L 2630 mm (640 mm + 1350 mm + 640 mm)

Weight

Cocoon Working-Lounge

=> ca. 497 kg (+-)

M² for complete Media-Lounge

Cocoon Working-Lounge

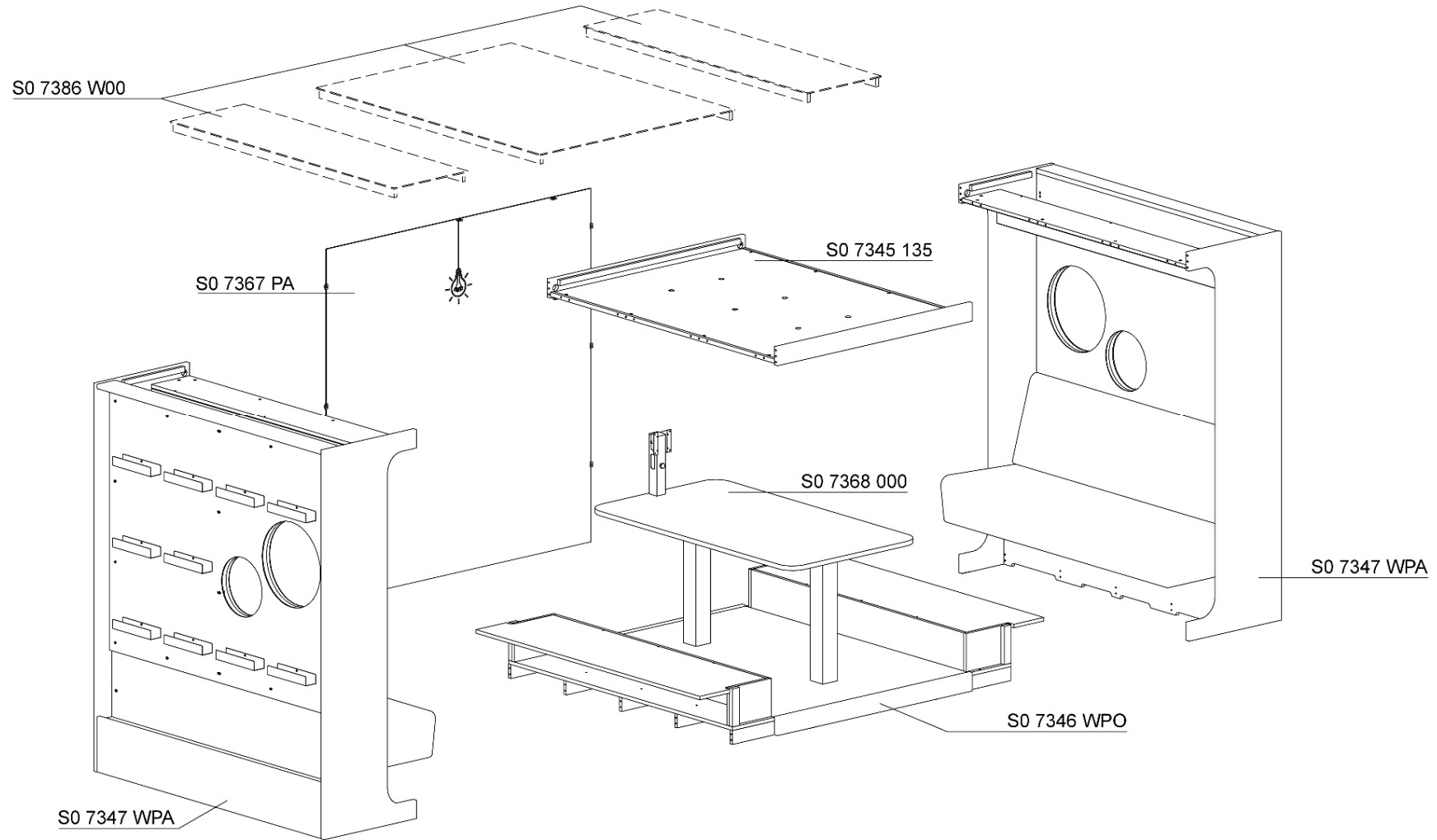
Approx. 5,1 m²



WE ARE LIBRARY PEOPLE®

Cocoon Working Lounge

Complete lounge





WE ARE LIBRARY PEOPLE®

Cocoon Working Lounge

Module WPA, WPO, C - assembly instruction

Module WPA, WPO, C

Assembled view (page 8)

Exploded view (page 9)

Assembly instructions – drawings (pages 10-12)

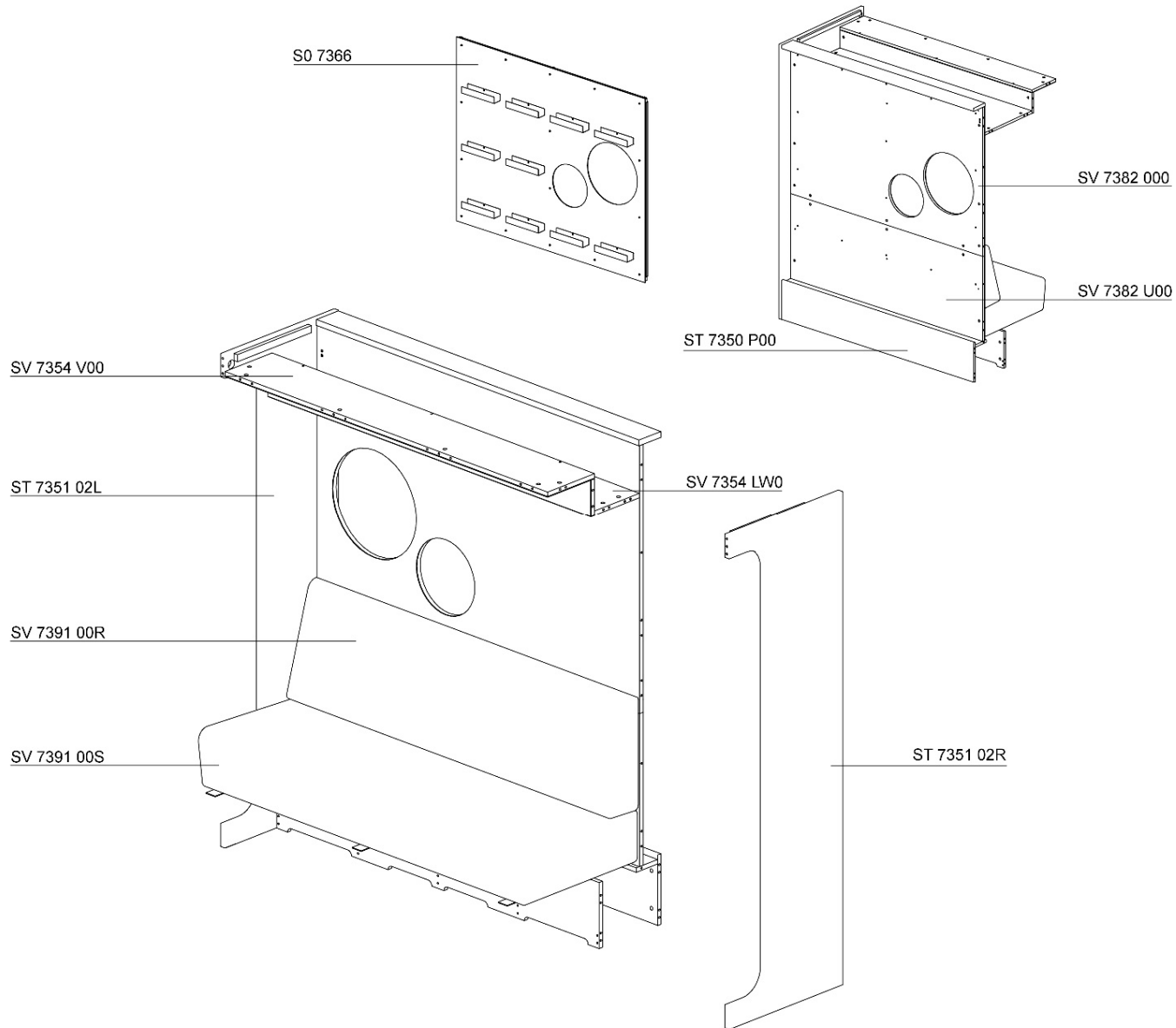
Assembly instructions – photos (pages 13-14)



WE ARE LIBRARY PEOPLE®

Cocoon Working Lounge

Module WPA - assembled

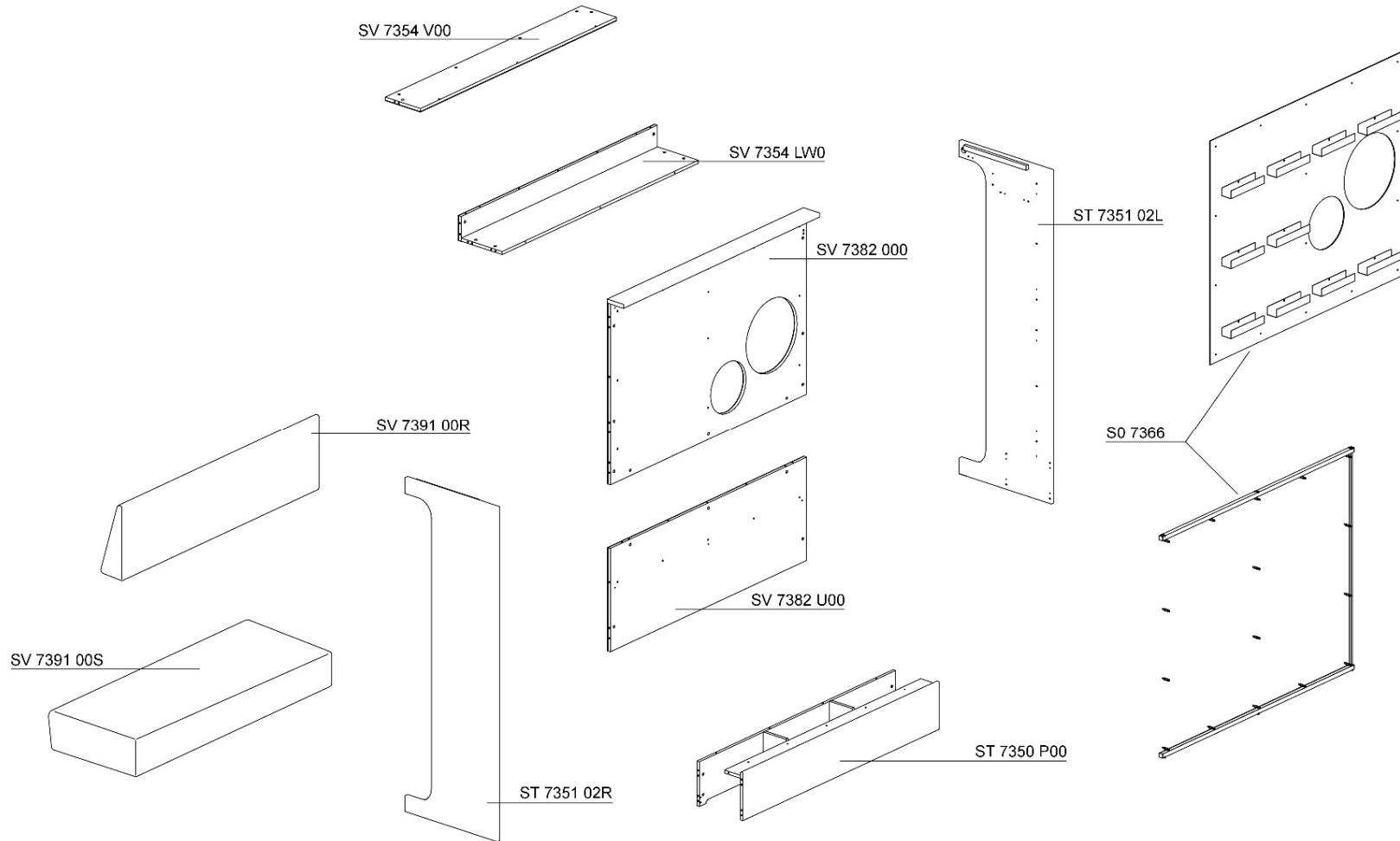




WE ARE LIBRARY PEOPLE®

Cocoon Working Lounge

Module WPA - exploded



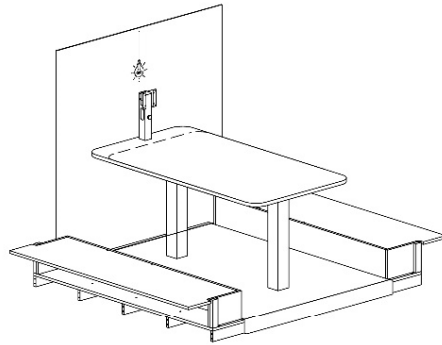


WE ARE LIBRARY PEOPLE®

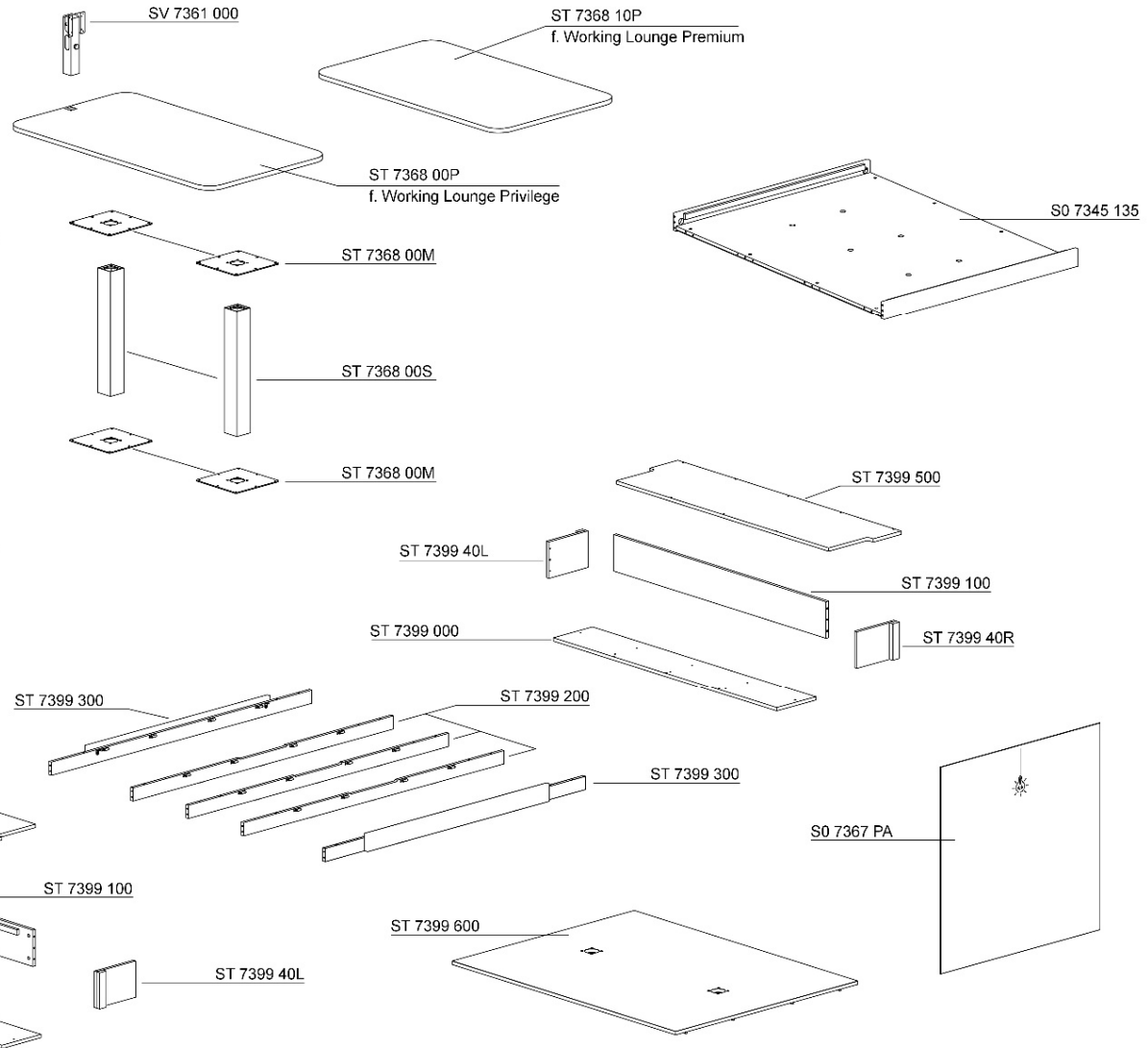
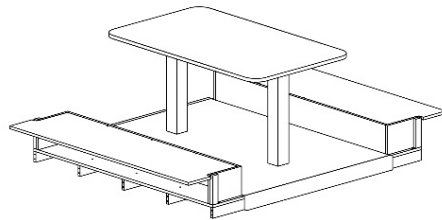
Cocoon Working Lounge

Module Working Lounge - exploded

S0 7368 000
Study Tisch Working Lounge Privilege



S0 7368 100
Study Tisch Working Lounge Premium

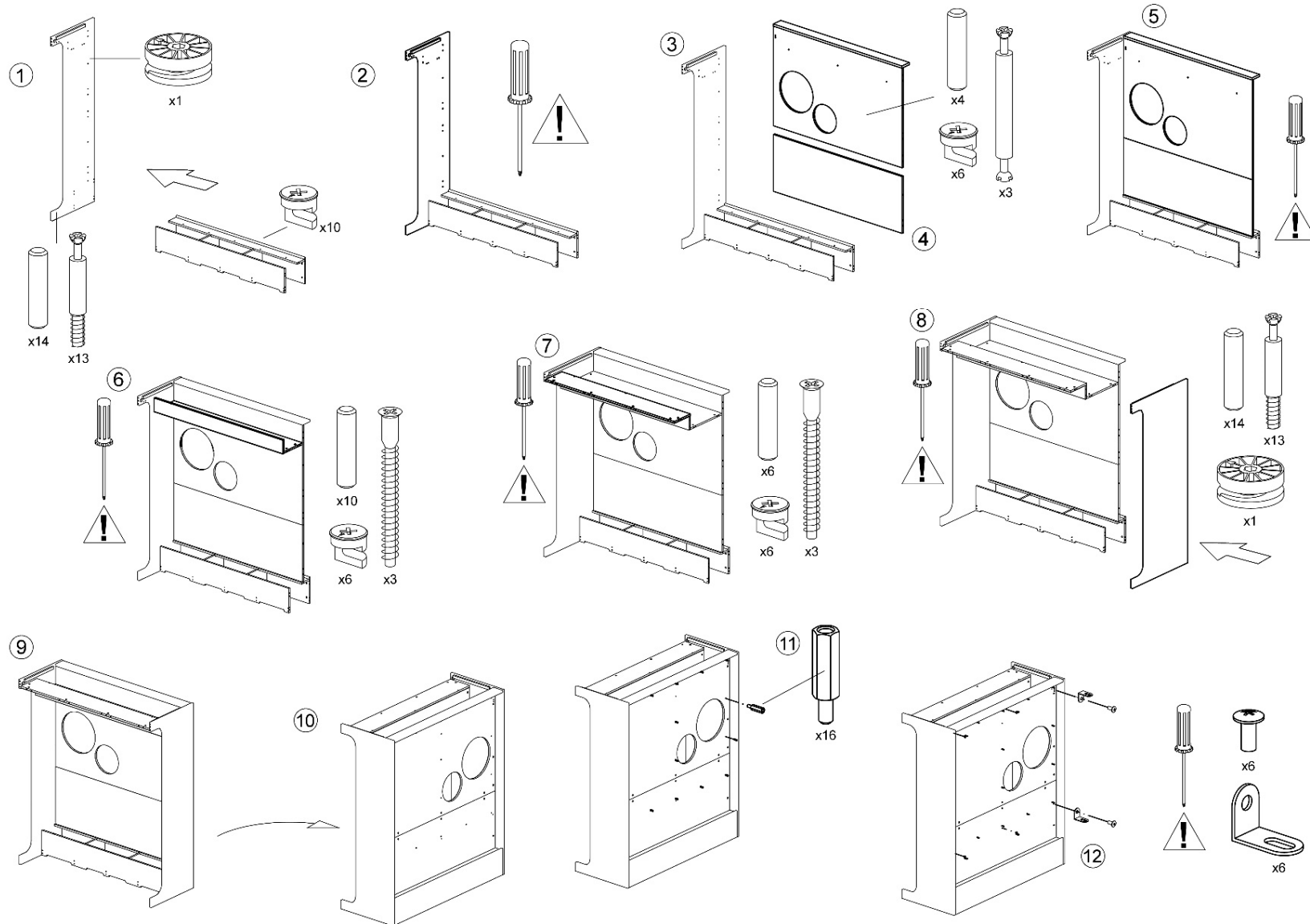




WE ARE LIBRARY PEOPLE®

Cocoon Working Lounge

Module WPA - assembly instruction

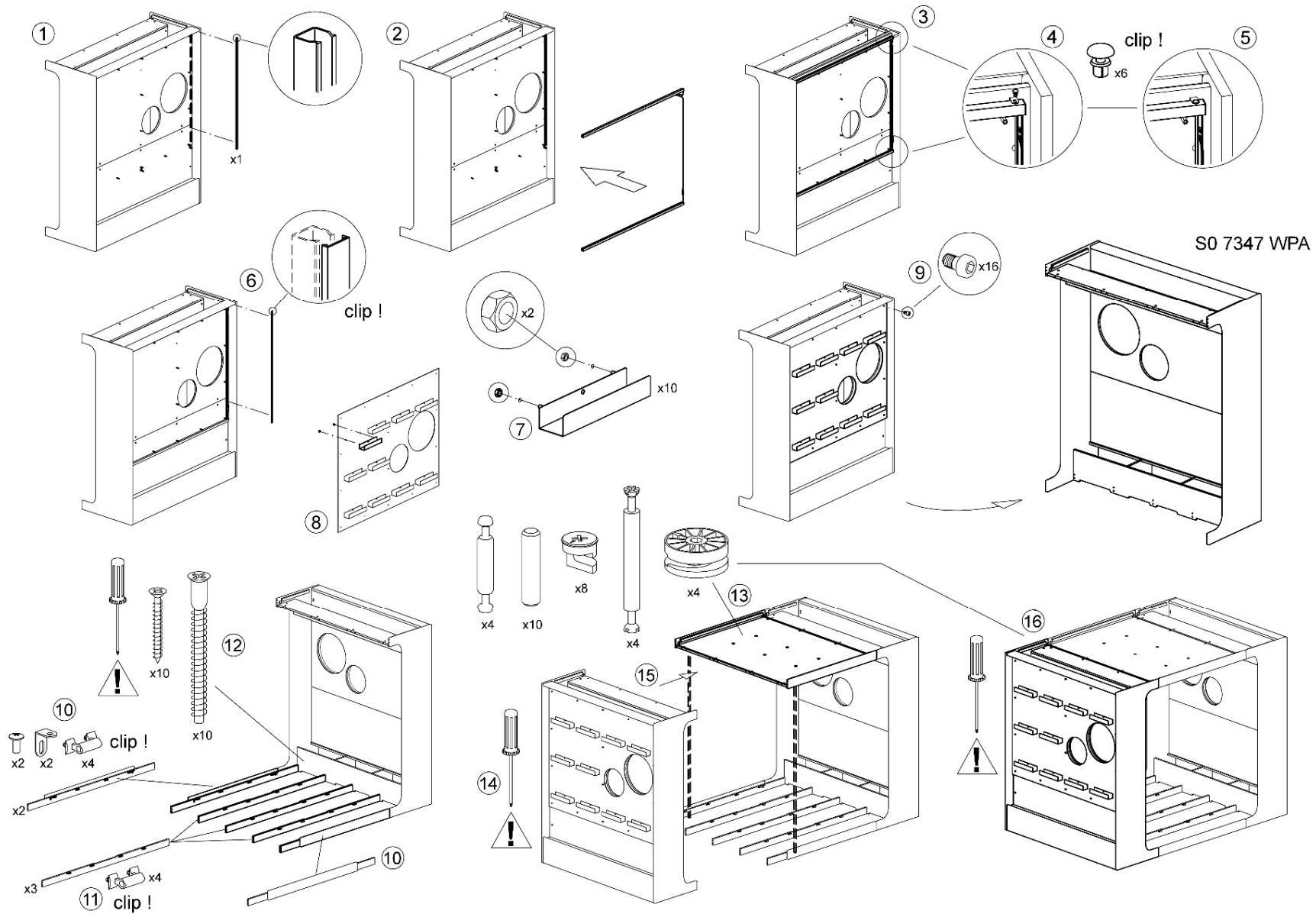




WE ARE LIBRARY PEOPLE®

Cocoon Working Lounge

Module C onto WPA - Assembly instruction

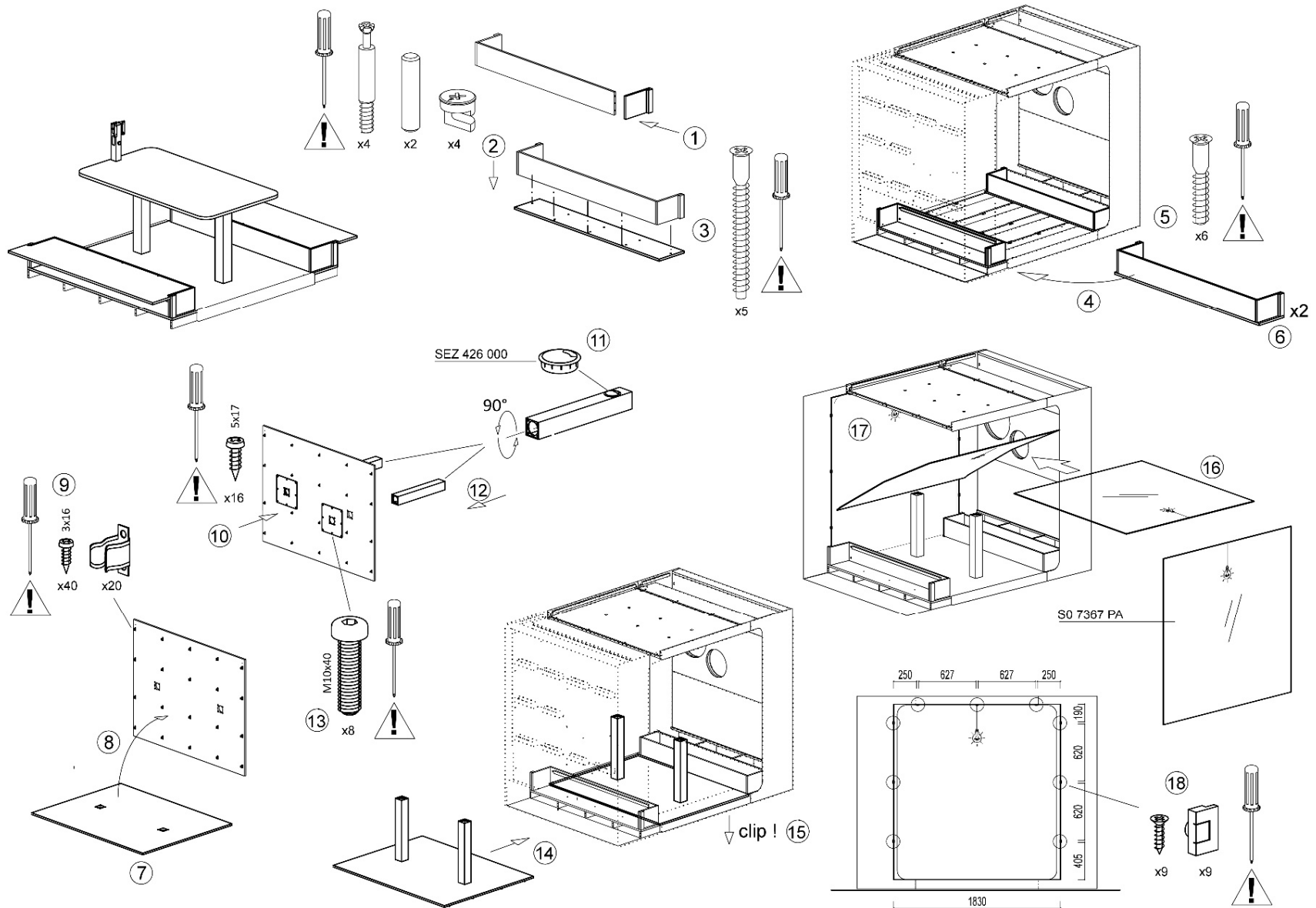




WE ARE LIBRARY PEOPLE®

Cocoon Working Lounge

Module C onto WPA - Assembly instruction

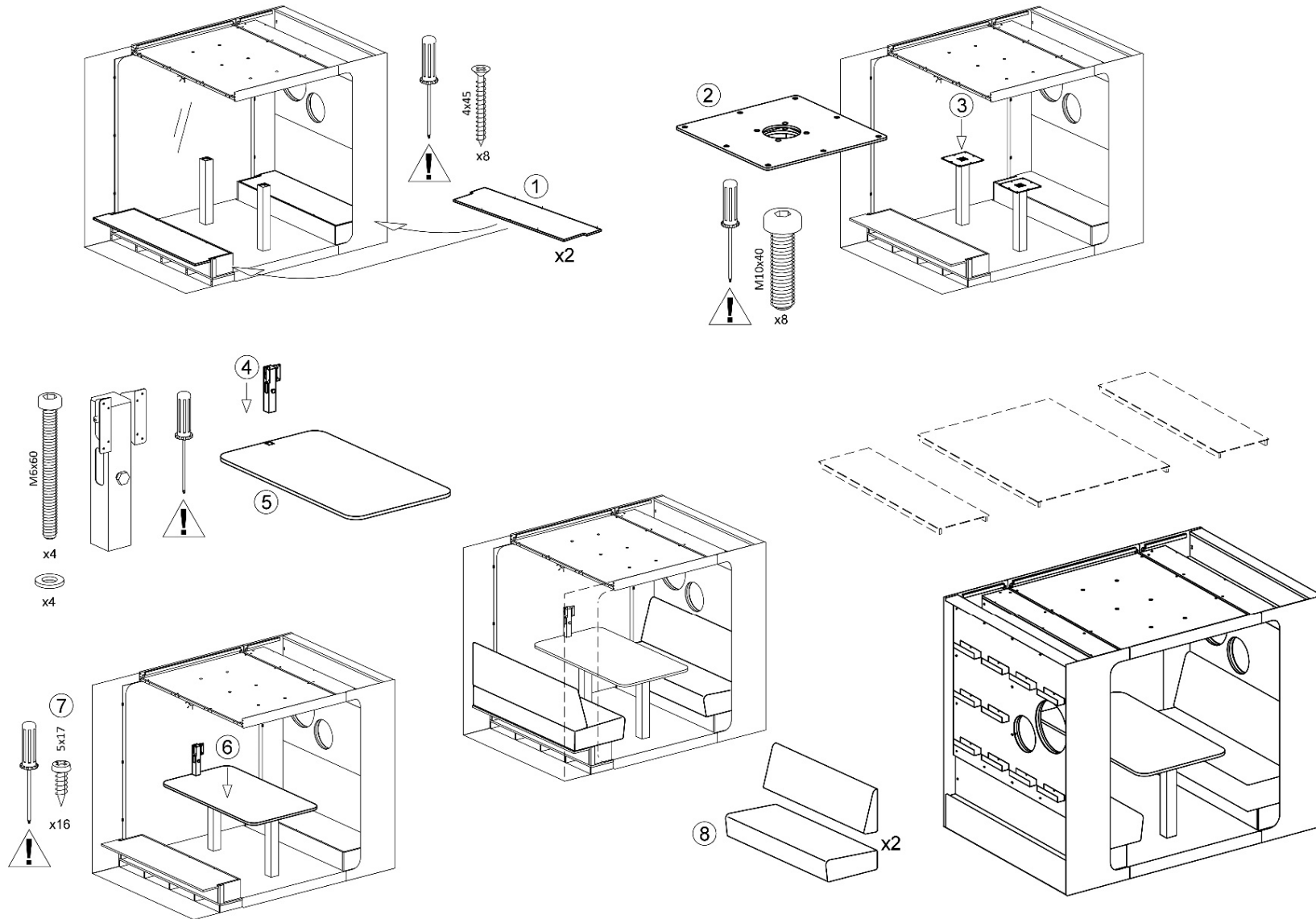




WE ARE LIBRARY PEOPLE®

Cocoon Working Lounge

Module Study TABLE - Assembly instruction





WE ARE LIBRARY PEOPLE®

Cocoon Working Lounge

Module WPA - Assembly instruction

Module WPA

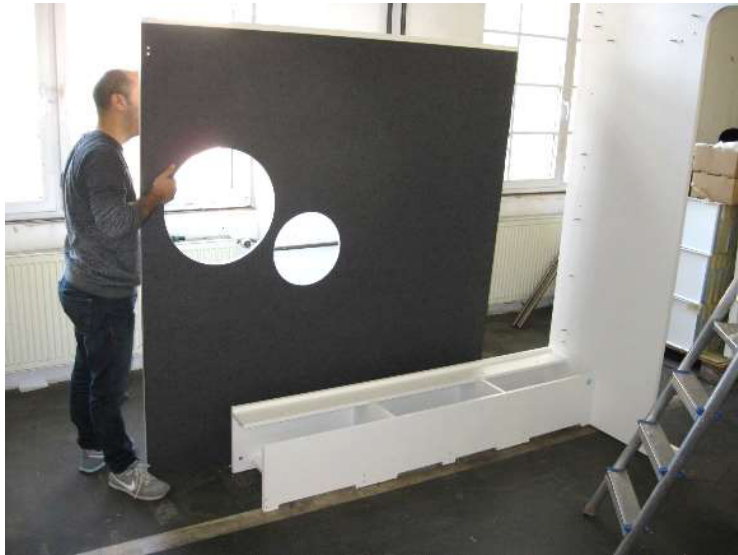
Assembly instructions - photos (pages 16-17)



WE ARE LIBRARY PEOPLE®

Cocoon Working Lounge

Module WPA - Assembly instruction

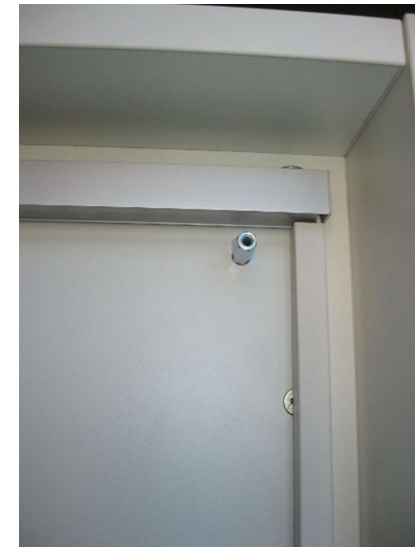
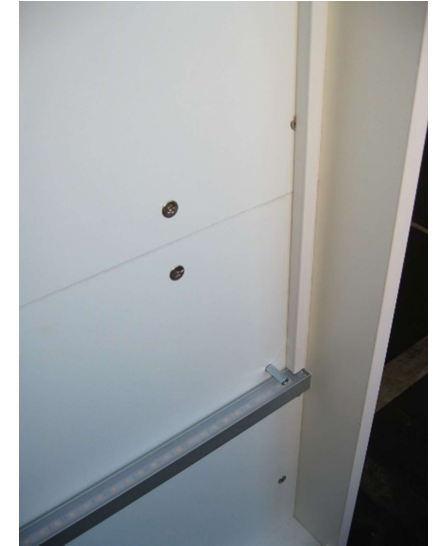




WE ARE LIBRARY PEOPLE®

Cocoon Working Lounge

Module WPA - Assembly instruction





WE ARE LIBRARY PEOPLE®

Cocoon Working Lounge

Module WPA - Assembly instruction

Module WPA

Photos (page 18)



WE ARE LIBRARY PEOPLE®

Cocoon Working Lounge

Photos Working Lounge Privilège

